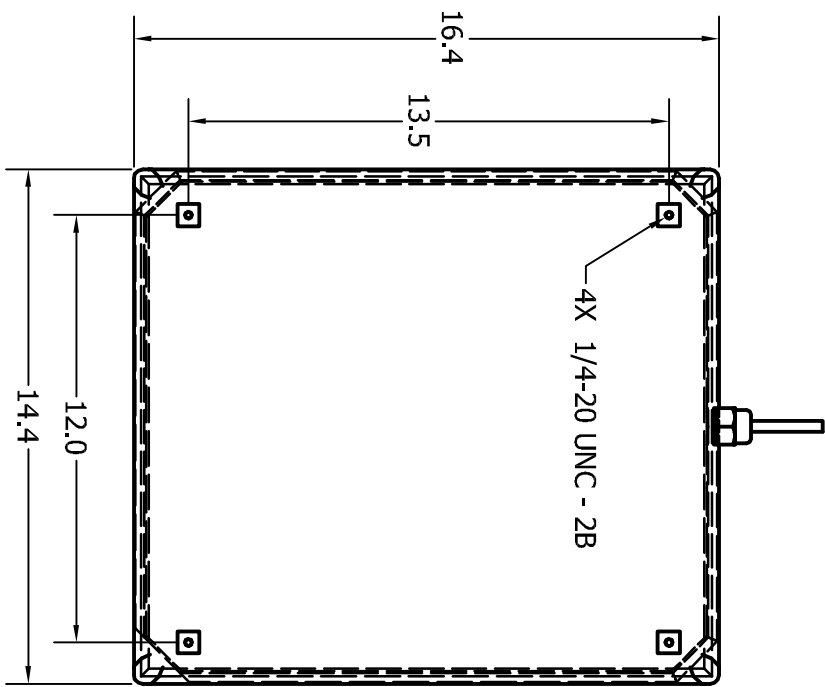
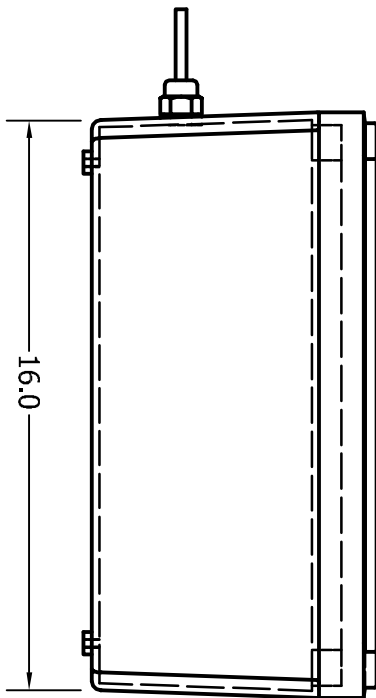
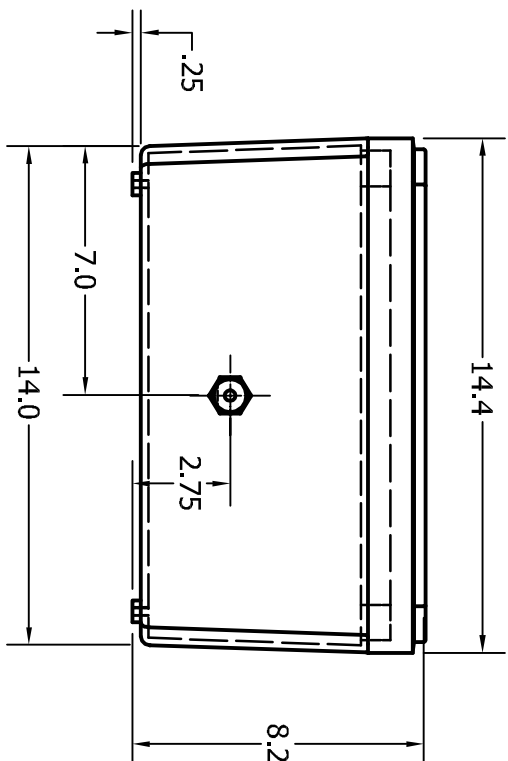
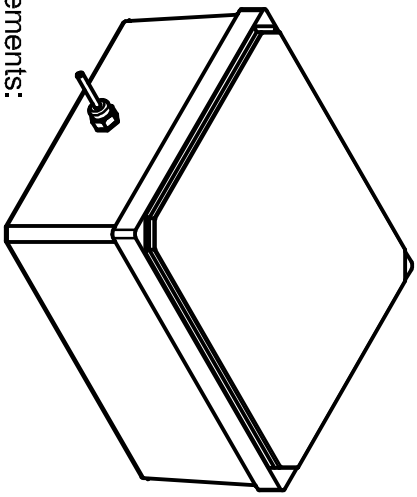


Base model Rain Brain. Enclosure sizes vary depending on number and type of outputs.



Rain Brain Power Requirements:
120 Volts 20 Amps



DRAWING	CPU - RAIN BRAIN	SCALE
	DATE	OCTOBER 12th, 2011
PROJECT		
TYPICAL INSTALLATION DETAIL		


716 UNION ST. ASHLAND, OH 44805
 TELE. 800/343-6063 FAX 419/207-8902

REVISIONS
DWG BY AJJ

MODEL NO.

RAIN BRAIN