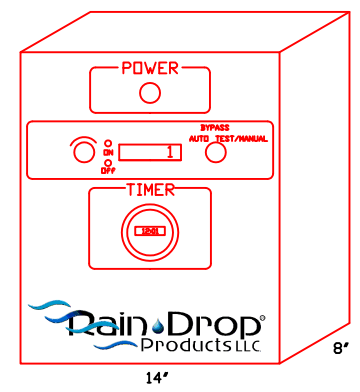


1 SPRAYGROUNDS PLAN
1 SCALE: 3/8" = 1'-0"

QTY	ITEM	MANUFACTURER	PART NO.
EQUIPMENT LIST			
WATER PLAY FEATURES RAIN DROP PRODUCTS, ASHLAND, OH 800/343-6063			
1	TUMBLEBUCKET SHORT MAST		TBKT-007-0M
1	AQUA HOOP		AQHP-004-0M
2	UPSTREAM JETS		UPJT-007-0M
1	DOWNSPOUT 6N		DSPT-006-0M
2	FOG JETS		FGJT-003-0M
4	SLANT JETS		SLJT-003-0M
1	SHOWER TOWER 6N		SHTW-005-0M
4	BELLESPRAY JET		BLSJ-004-0M
FLOW CONTROL, COMPUTER, AND SENSING SYSTEM			
1	SPRAY GROUND COMPUTER		CPU-A001
1	WELDED MANIFOLD		MFD6-122-S
11	2in SOLENOID VALVES		SOL-A001
0	2in BALL VALVES		VL2A-A001
1	2in CAPS		CAP2-A001
4	12"x12" BOX DRAINS		DRN12-002
1	FIRE HYDRANT ACTIVATOR		ACT-A001

IMPORTANT NOTES

ALL FEATURES INCLUDING INSTALLATION TEMPLATES MUST BE LEVEL
DO NOT USE MORE THAN FOUR ANCHOR BOLTS PER ABOVEGROUND FEATURE
DO NOT USE SEALANT BETWEEN GASKET AND FLANGE
TORQUE ANCHOR BOLTS TO MAX 80 FT LBS
REMOVE ALL FLUSH MOUNTED NOZZLES AND DO NOT INSTALL ABOVEGROUND FEATURES PRIOR TO FLUSHING ALL LINES



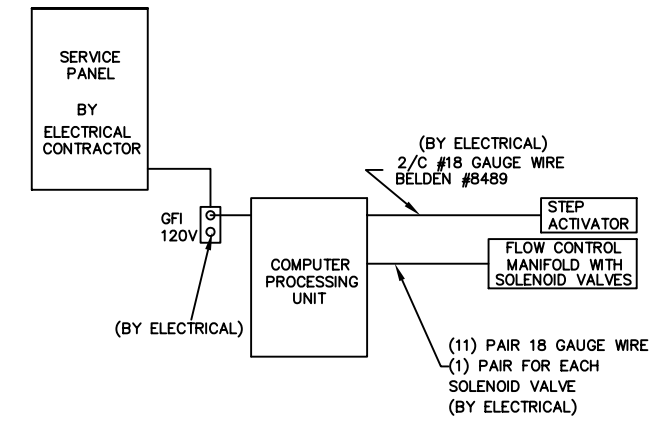
CPU PROGRAMMING MODES OF OPERATION

OFF turns the system completely off over-riding the timer. AUTOMATIC is the normal setting when the system is set for continuous day and night operation. In this mode the timer turns the system off at night and on in the morning and the sensors sequence the programming of the water to the water features. BYPASS/RUN is the setting used to turn the system on for continuous operation without shutdown by the sensor. In this mode the system continues to sequence through the programming bypassing the sensor until another mode is chosen. TEST/MANUAL setting is used to activate individual features manually using the individual water feature switches located below the programming mode choice switch.
NOTE: DO NOT OPERATE PUMP WITH ALL THE FEATURES TURNED OFF.

2 CENTRAL PROCESSING UNIT
1 SCALE: NOT TO SCALE

NOTE: DESIGNS ARE PREPARED FOR REVIEW. TO BE STAMPED BY LOCAL CERTIFIED DESIGNER FAMILIAR WITH LOCAL CODES AND REQUIREMENTS

NOTE: CONTRACTOR RESPONSIBLE FOR ALL PVC PIPING INCLUDING FLANGES, ELBOWS, GASKETS AND HARDWARE TO CONNECT ALL ABOVE EQUIPMENT TO OPERATE PROPERLY.



3 ELECTRICAL SCHEMATIC
1 SCALE: NOT TO SCALE

REVISIONS
DWG BY: AJJ
REVISED 2/19/07 AJJ
REVISED 3/12/07 AJJ

RAIN DROP PRODUCTS LLC
Spray Grounds
1430-B GEORGE RD, ASHLAND, OH 44805
TELE. 800/343-6063 • FAX 419/207-8902

DRAWING: SPRAYGROUND LAYOUT
DATE: FEBRUARY 16th, 2007
SCALE: AS NOTED
PROJECT: CITY OF WHITE OAK
WHITE OAK, TX

1
OF 3
SHEET NO.